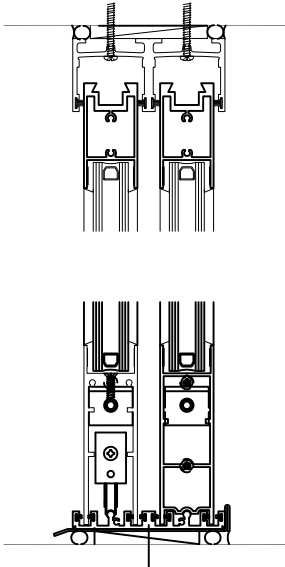
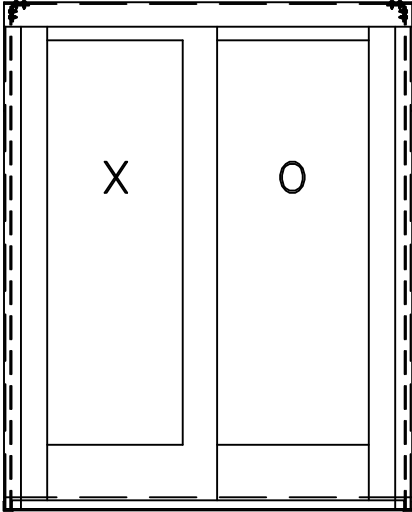


SLIDING DOOR INSTALLATION INSTRUCTIONS



SERIES MAX
SLIDING DOOR

CONTENTS

General Information.....	Page 1 & 2
Sliding Door Frame Installation.....	Page 2 - 4
Sliding Door Panel Installation.....	Page 5
Sliding Door Panel Installation.....	Page 5

GENERAL INFORMATION

PRL ALUMINUM Series XXXXX Sliding Door represent the latest in product development technology complemented by dealer on the job experience. Proper use of this system will assure optimum results in erection and performance.

PRL ALUMINUM does not control the application nor selection of its products, sealant or glazing materials and assumes no responsibility thereof. It is the responsibility of the owner and installer to make these selections in strict compliance with applicable laws and building codes.

PROTECTION AND STORAGE:

Doors are ship finished products and must be protected against damage. When storing doors, handle the material carefully. Do not drop from the truck and stack doors with adequate separation so that the material will not rub together. Protect the product from the elements and others construction hazards by using a well ventilated covering. After erection protect the product by wrapping with KRAFT PAPER or VISQUEEN or CANVAS SPLATTER SCREENS.

NOTE: Cement, plaster, other alkaline solutions and acid based material used to clean masonry are very harmful and should be removed with water and mild soap immediately.

CHECK MATERIAL:

Check all material upon arrival for quality and to assure against shipping damage. Any visibly damage must be noted on the freight bill at the time of receipt. If a claim is required, then the receiving party must process a claim with the freight company.

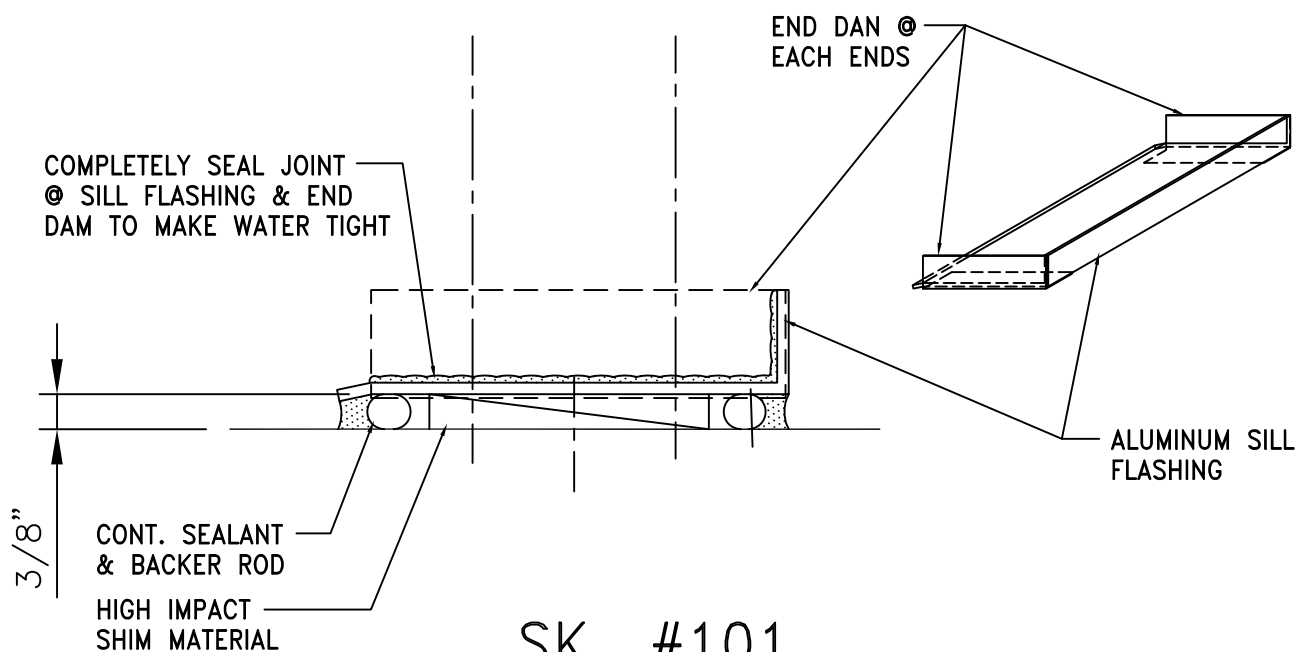
Check SHOP DRAWINGS and INSTALLATION INSTRUCTIONS to become familiar with the project. The shop drawings take precedence and include specific details for the project. The installation instruction are of a general nature and cover the most common conditions. Due to varying job conditions, all sealants used should be approved by the sealant manufacturer to insure they will function for conditions shown on instructions and shop drawings.

FIELD CONDITIONS:

All material to be installed plumb, level, and true. The bench marks established by the General Contractor should be used in starting laying the door frame. Aluminum to be placed in direct contact with the masonry or incompatible material should be isolated with a heavy coat of zinc-chromate or bituminous paint. Coordinate protection of installed materials with general contractor and others trades.

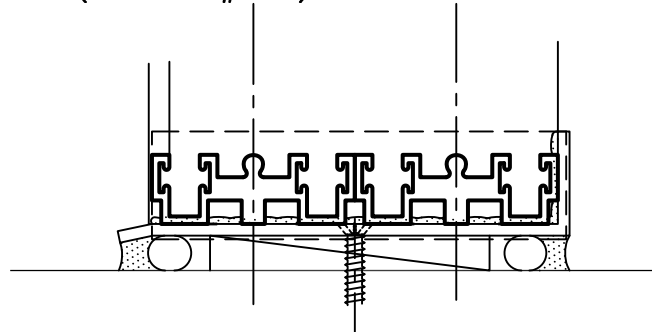
SLIDING DOOR FRAME INSTALLATION

1. Obtain bench mark and check rough opening to be sure the frame will fit in the opening plumbly.
2. Sill flashing to be install accordingly:
 - a. Place the sill flashing over non-porous, non-absorbent, inorganic shims. Check for plumbless and anchor sill flashing @ shim location per job given conditions. (see SK. 101 below)
 - b. Applied .040 aluminum angle end dam @ each ends with applied tape and sealant. (see SK. 101 below)



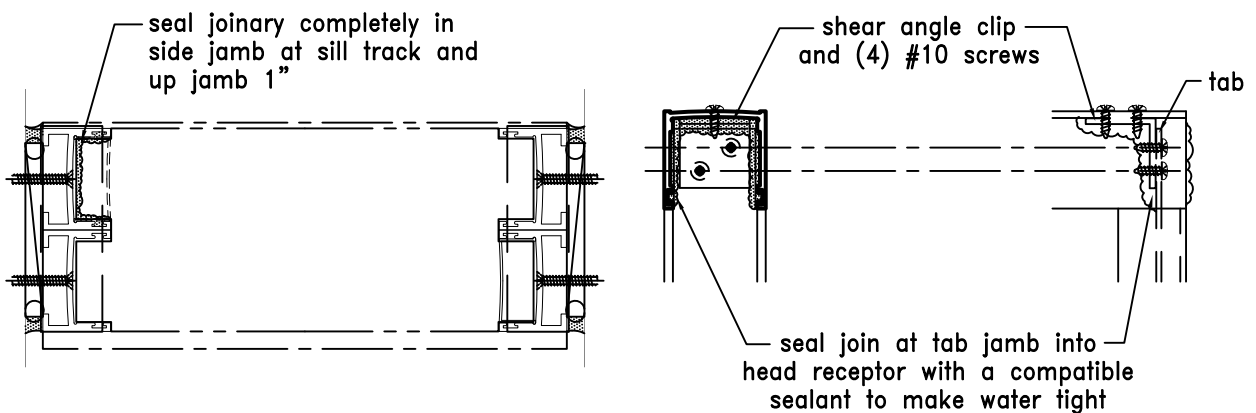
3. ASSEMBLE THE FRAME:

4. Check sill flashing for plumbless and assemble door frame into sill flashing. Place a level on top of the sill track to check for plumbless. NOTE: Unless the frame sill is perfectly level the sliding panel will not line up in both the close and open positions. (See SK #102)



SK. #102

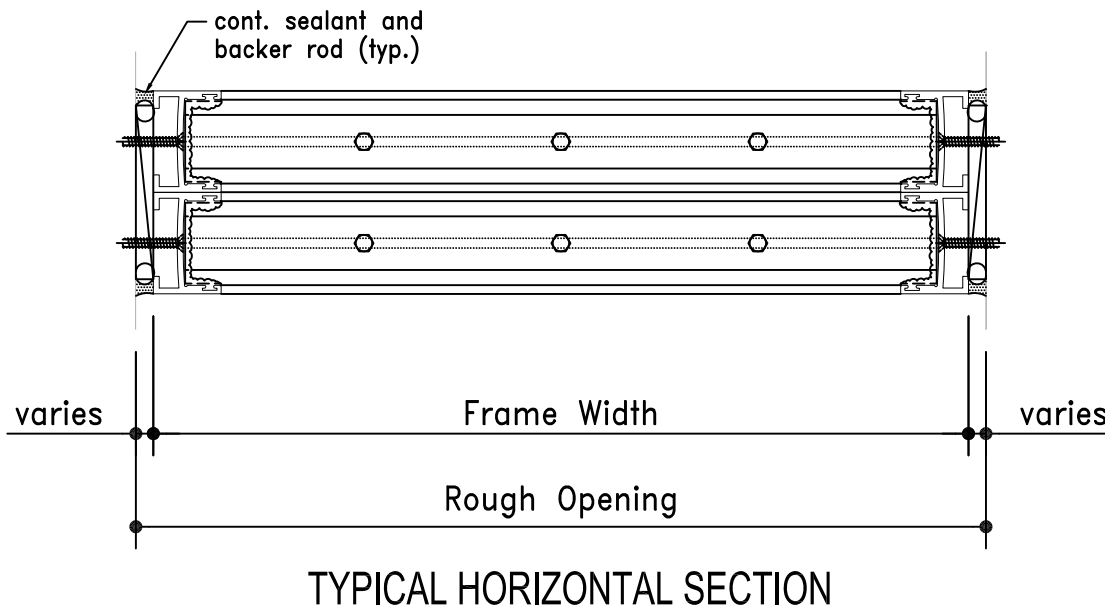
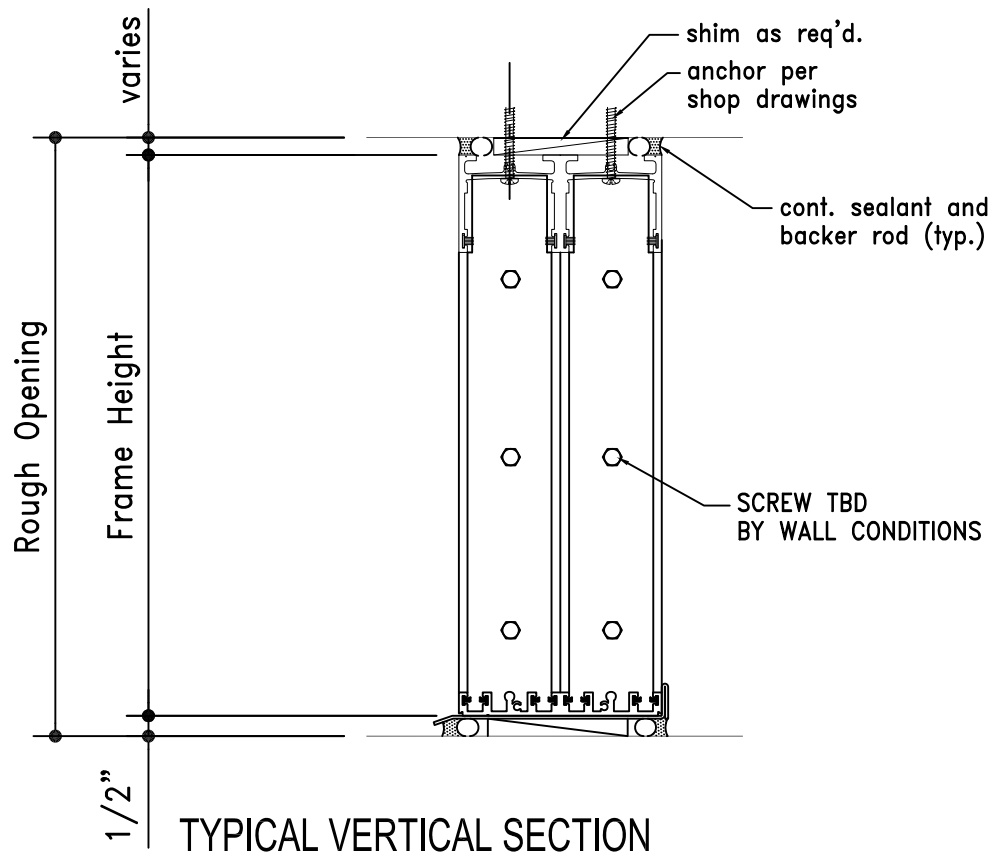
5. Seal all joints completely with compatible sealant. IMPORTANT: Apply a heavy bead of sealant to the joint where the frame jamb and sill join. (see SK. 103)



SK. #103

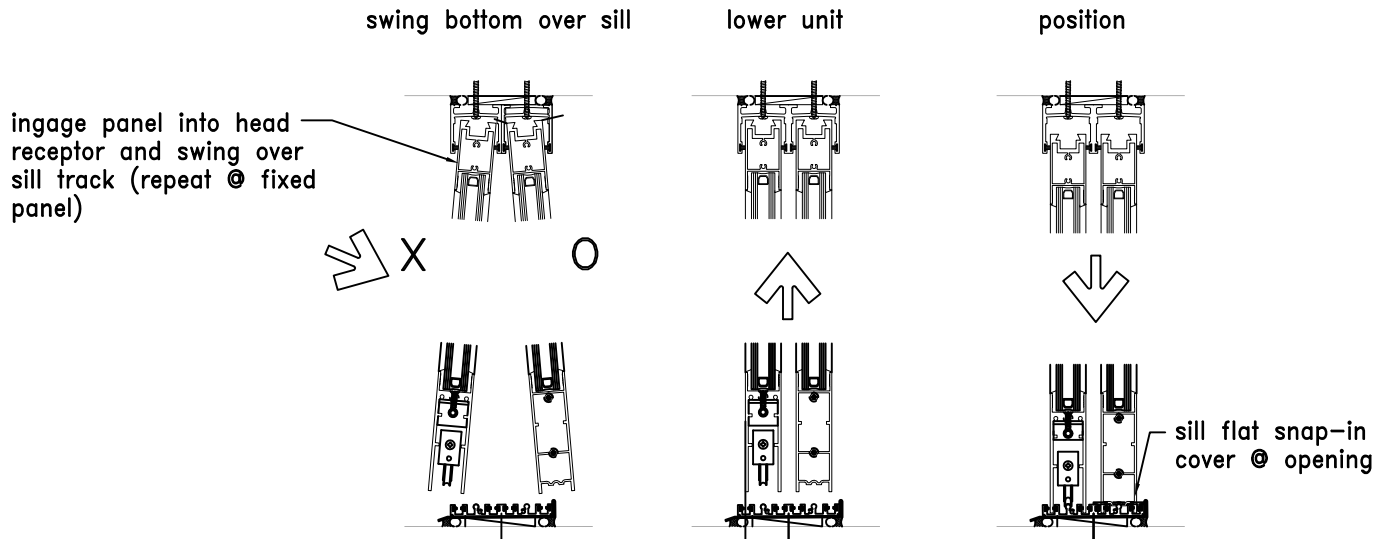
6. Seal frame jamb and head receptor completely with sealant to make water tight. Sealant must cover the entire joint and extend up jamb 1" at sill. (see SK. 103)
7. Apply compatible sealant to the underside of the frame head and install inside sill flashing. Cross measure and adjust as necessary to achieve a plumb, square and level condition, as well as an even reveal around the framed opening. Place shim at fastener location per shop drawings. There should be a screw in every hole - do not skip any holes. Seal all fastener head with compatible sealant.
8. The installer is responsible for the integrity of all framing joints after installation and must therefore water test all joints to guarantee a completely sealed product. Apply compatible joint sealer and sealant as necessary to ensure a water tight joints. Retest as necessary.

9. To complete the installation, apply backer rod and a complete bead of sealant to the door perimeter at both exterior and interior joints between the frame and the building structure. Tool the sealant to eliminate bubbles, voids and breaks and to ensure a complete water tight seal. (See sections below)

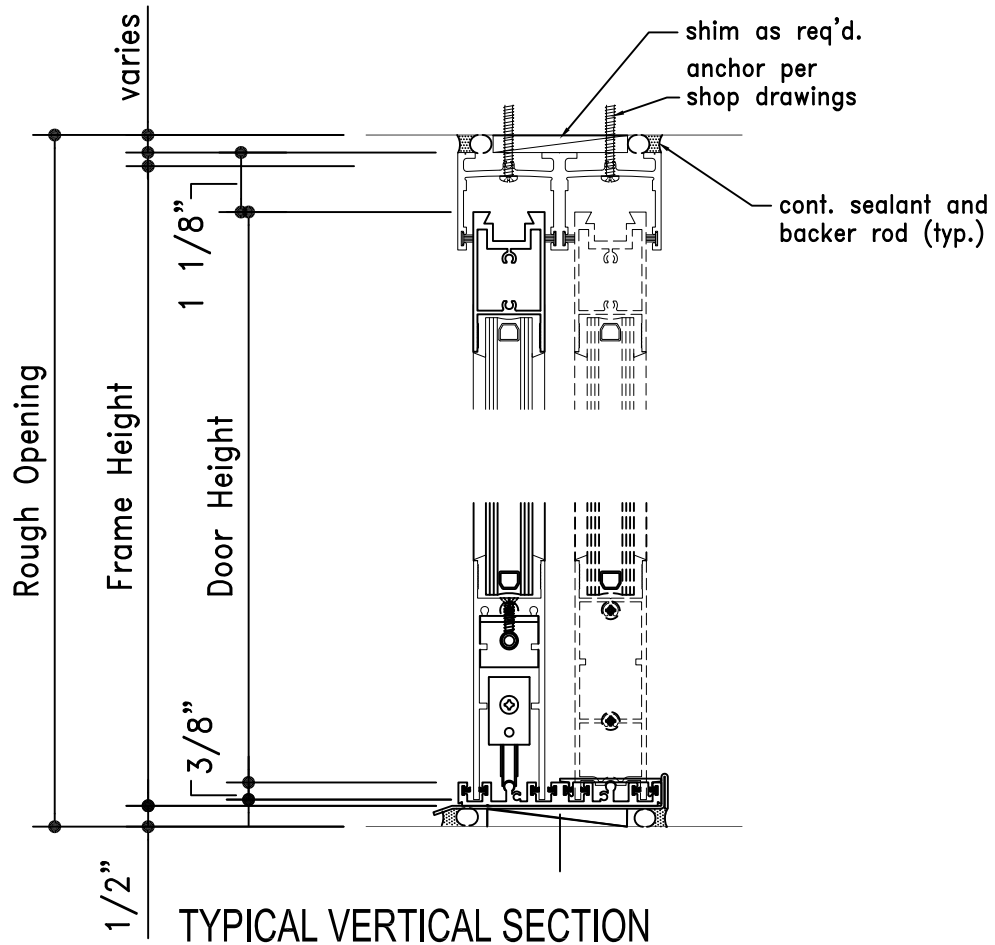


SLIDING DOOR PANEL INSTALLATION

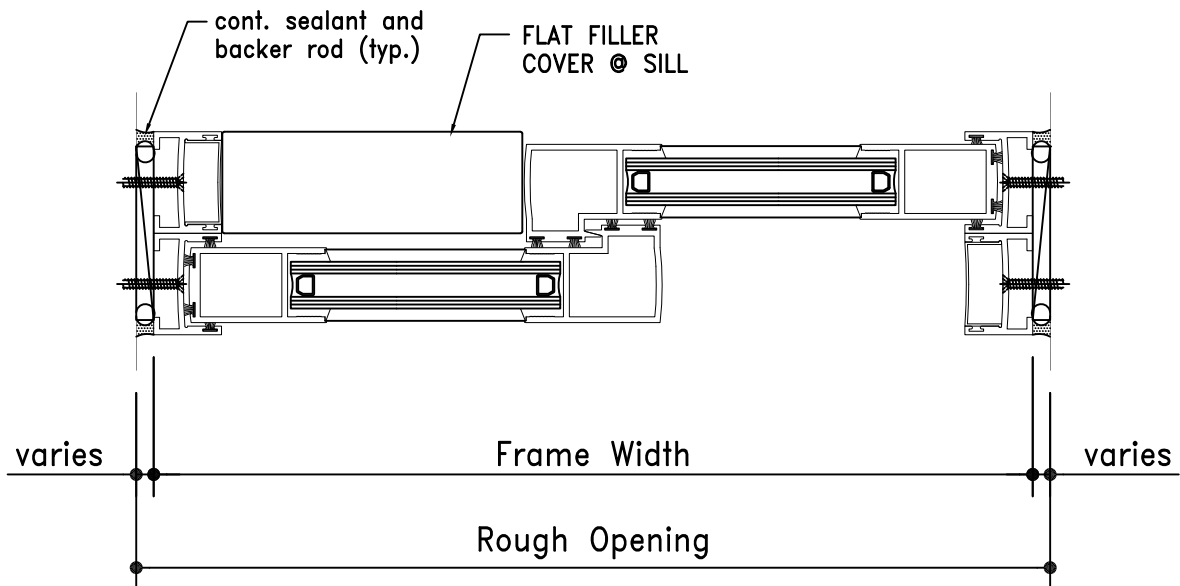
1. Install both panels in frame by pushing up into head receptor. Swing panel into position over sill track and lower onto sill track. Check position for alignment and
2. Install both panels into frame by pushing up into head receptor. Swing panels into position over sill track and lower onto sill track. Check panels for alignment and plumbless.
3. Push fixed panel tightly into jamb. Apply sill flat cover snap into fixed opening.



SLIDING DOOR STANDARD RANGE



TYPICAL VERTICAL SECTION



TYPICAL HORIZONTAL SECTION