

STRAIGHT LADDER PULL
BACK TO BACK

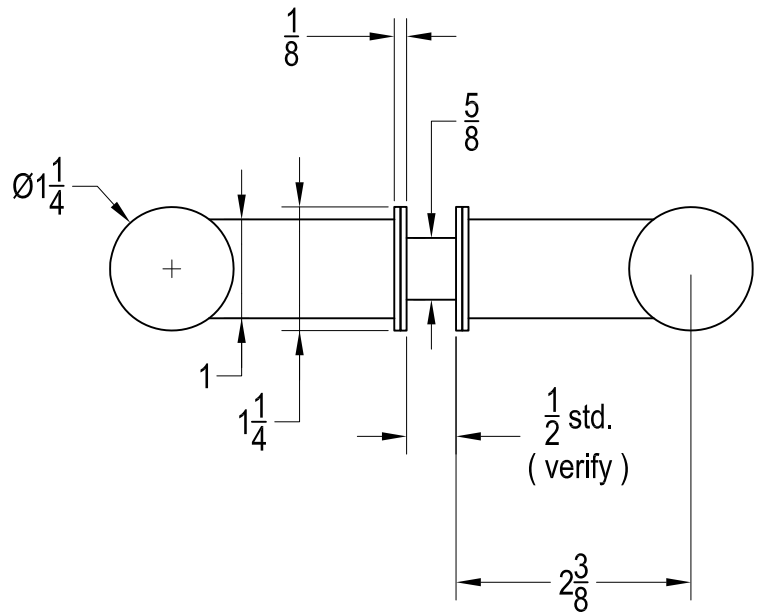
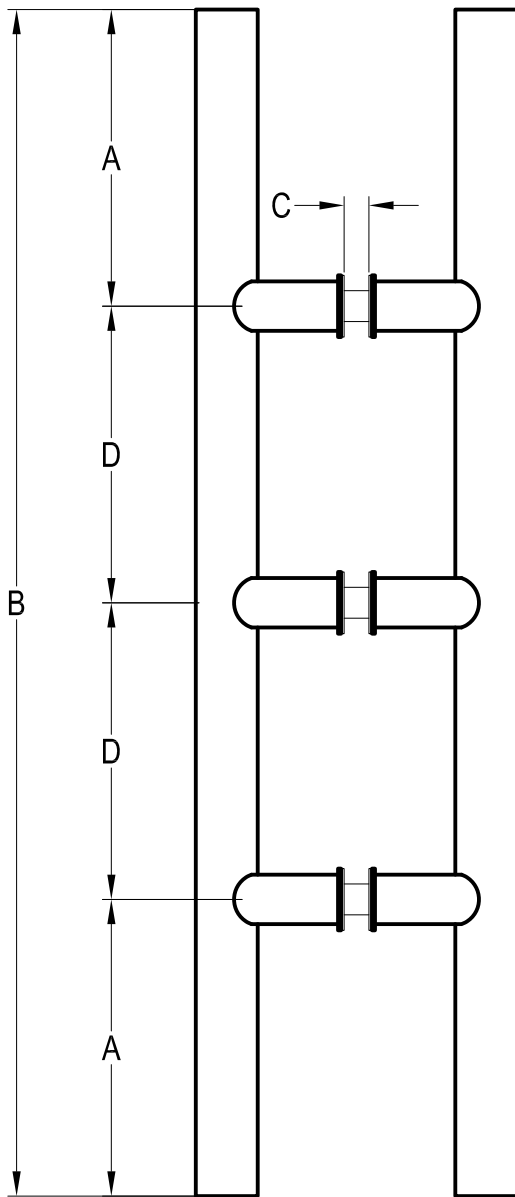
FINISH:

Dim " A "

Dim " B "

Dim " C "

Dim " D "



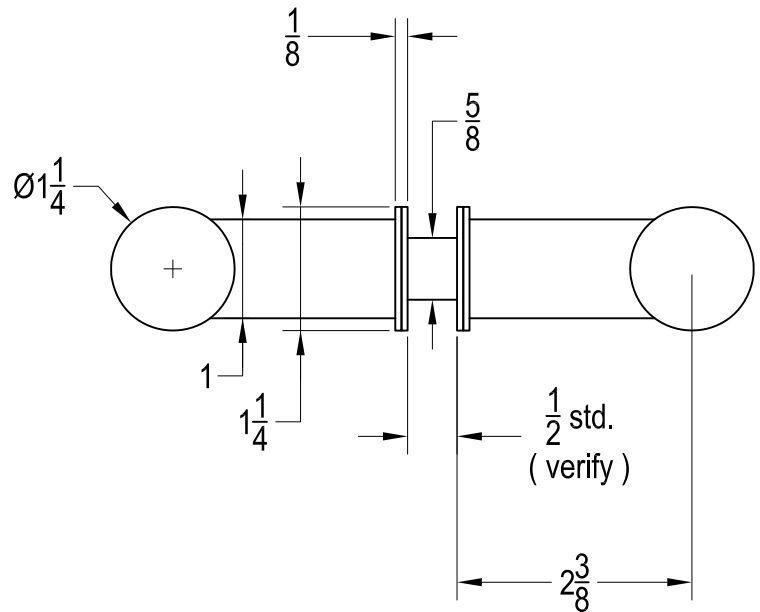
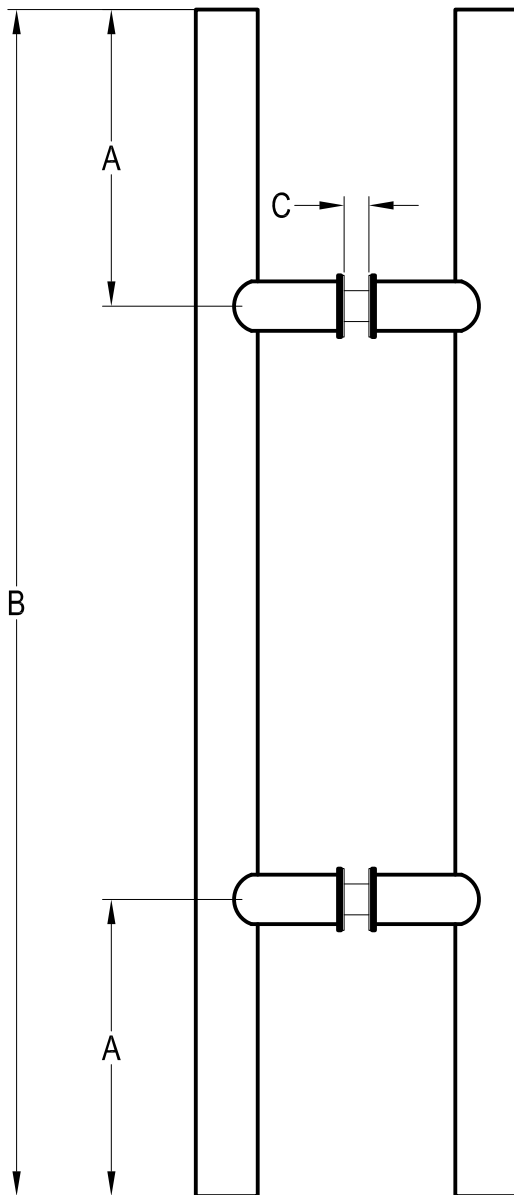
STRAIGHT LADDER PULL
BACK TO BACK

FINISH:

Dim " A "

Dim " B "

Dim " C "





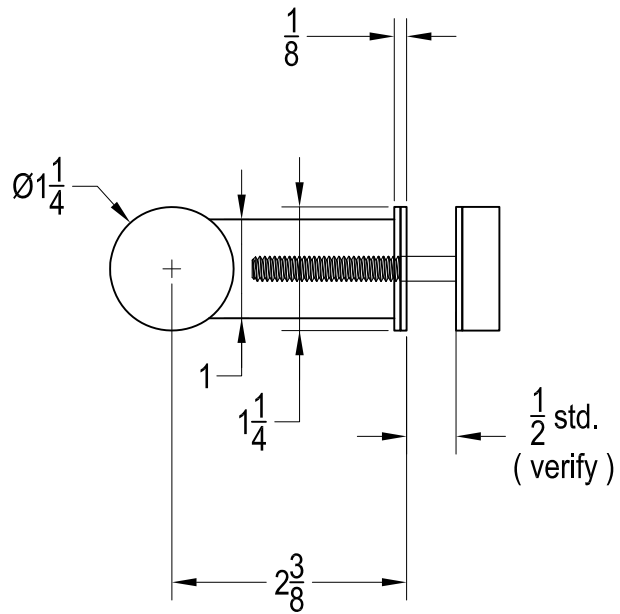
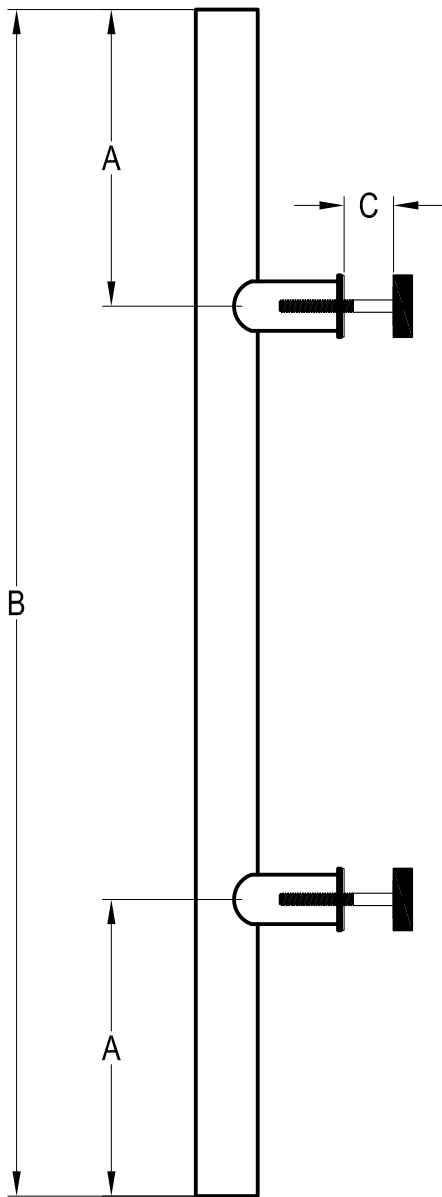
STRAIGHT LADDER PULL
SINGLE

FINISH:

Dim " A "

Dim " B "

Dim " C "





STRAIGHT LADDER PULL
SINGLE

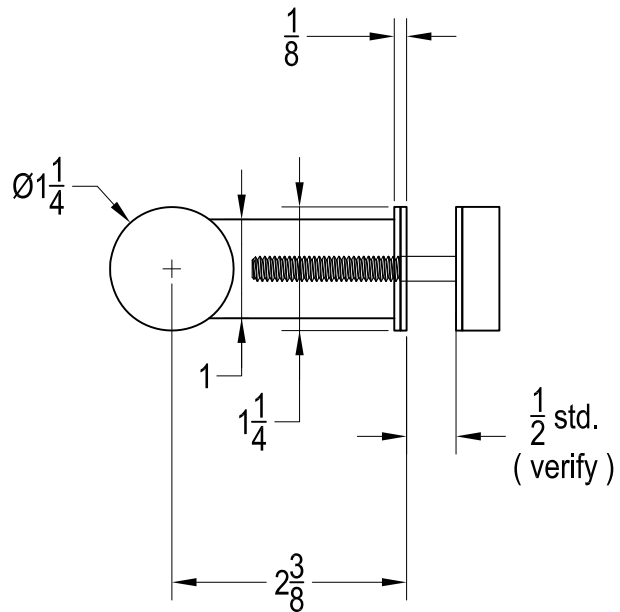
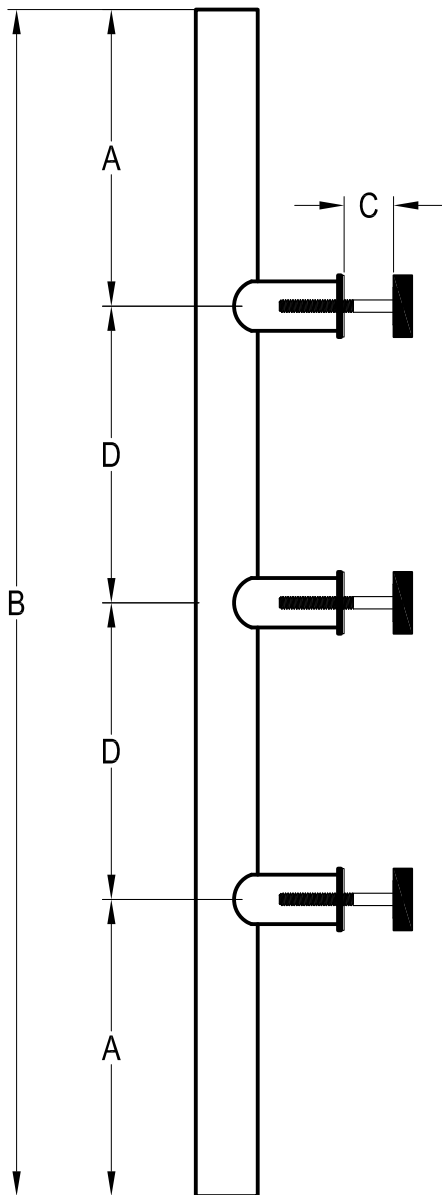
FINISH:

Dim " A "

Dim " B "

Dim " C "

Dim " D "



SQUARED LADDER PULL
BACK TO BACK

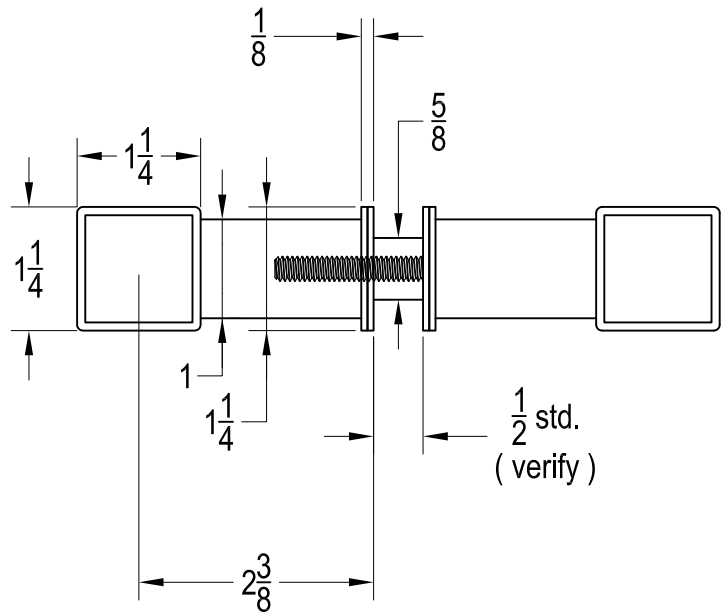
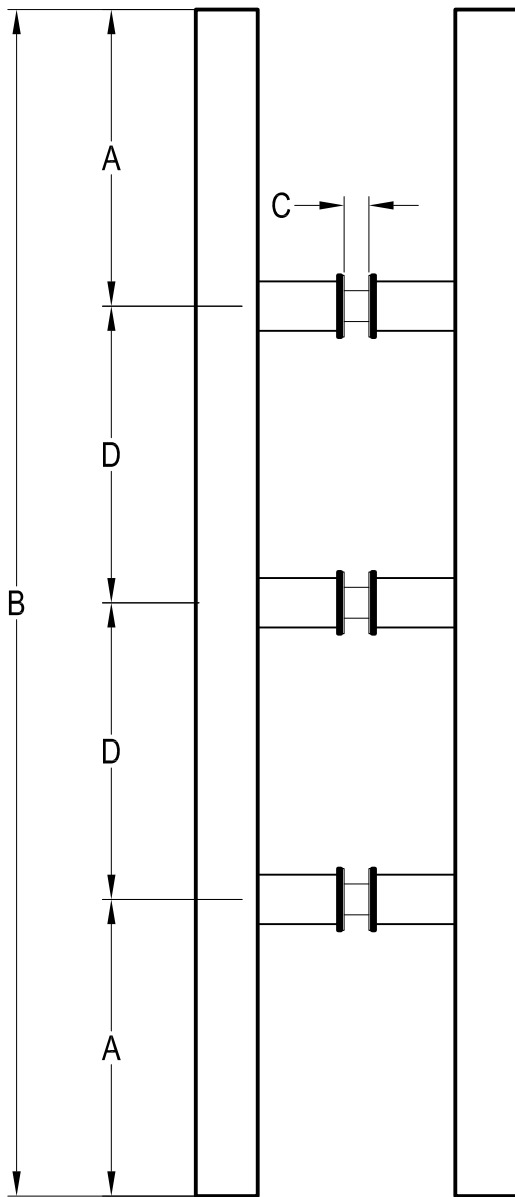
FINISH:

Dim " A "

Dim " B "

Dim " C "

Dim " D "



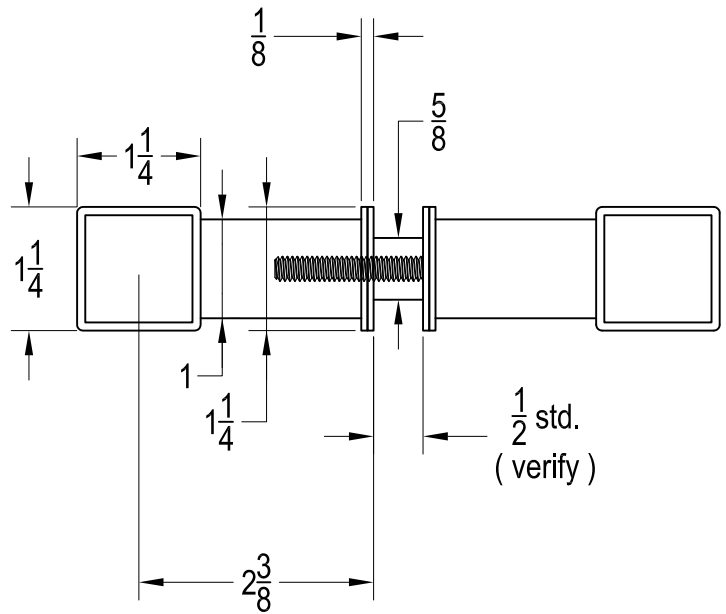
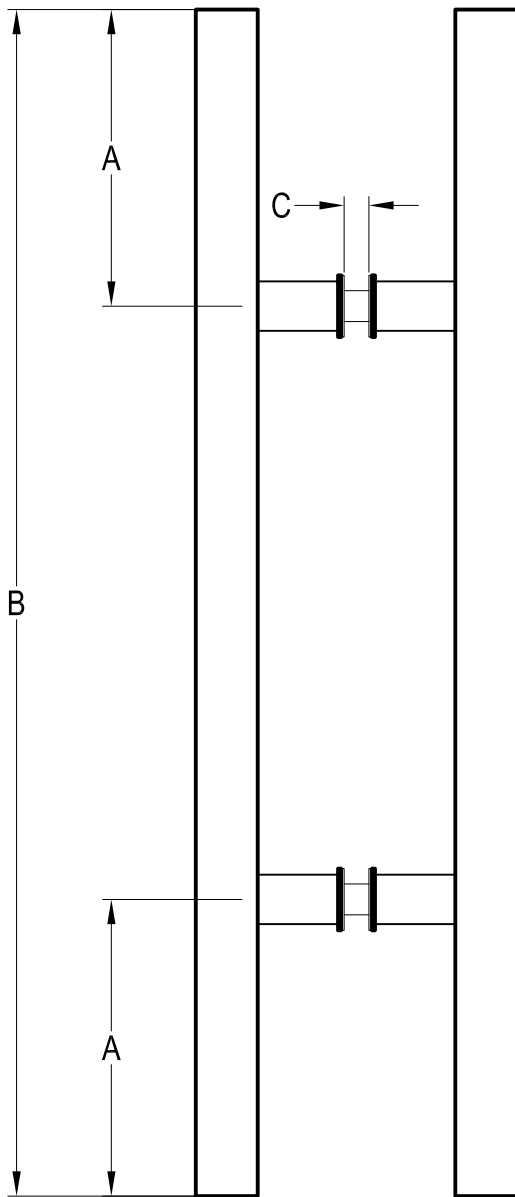
SQUARED LADDER PULL
BACK TO BACK

FINISH:

Dim " A "

Dim " B "

Dim " C "



SQUARED LADDER PULL
BACK TO BACK

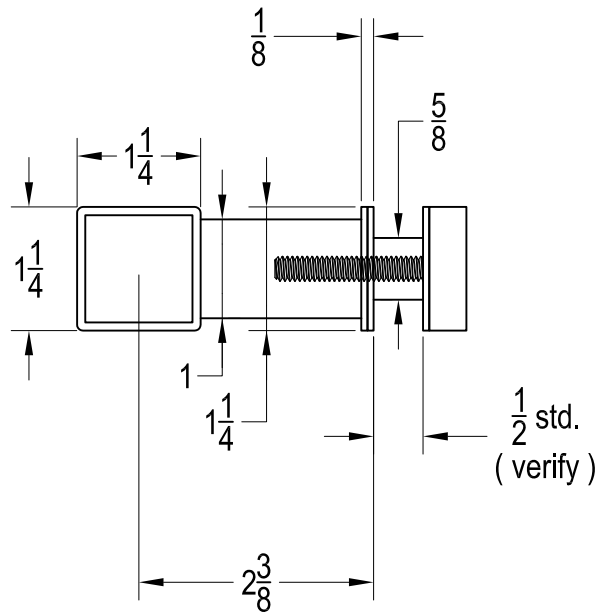
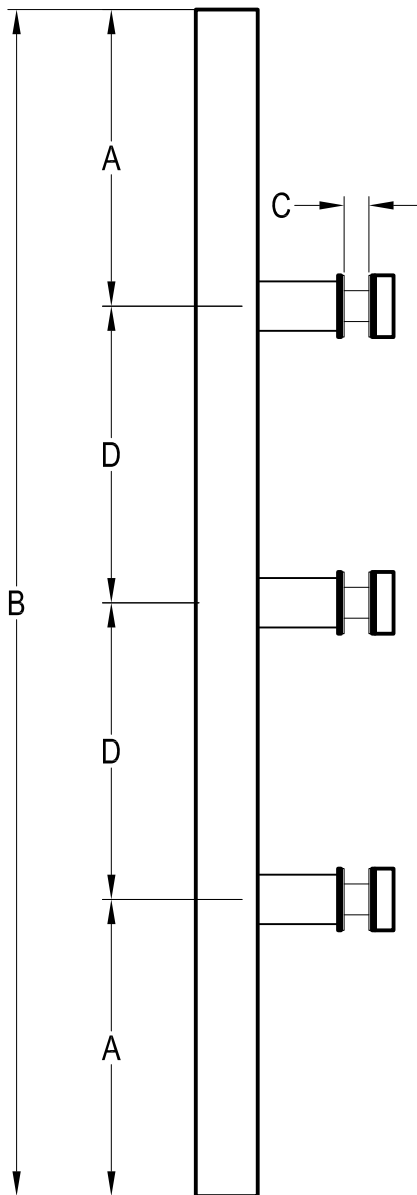
FINISH:

Dim " A "

Dim " B "

Dim " C "

Dim " D "



OFFSET LADDER PULL
BACK TO BACK

FINISH:

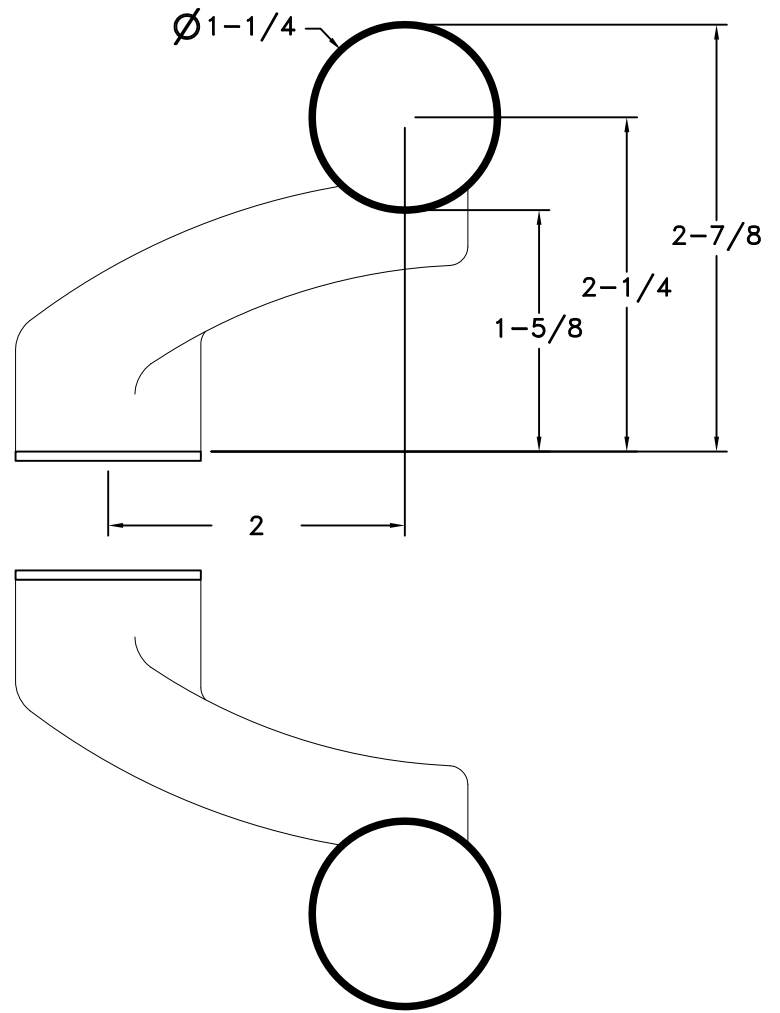
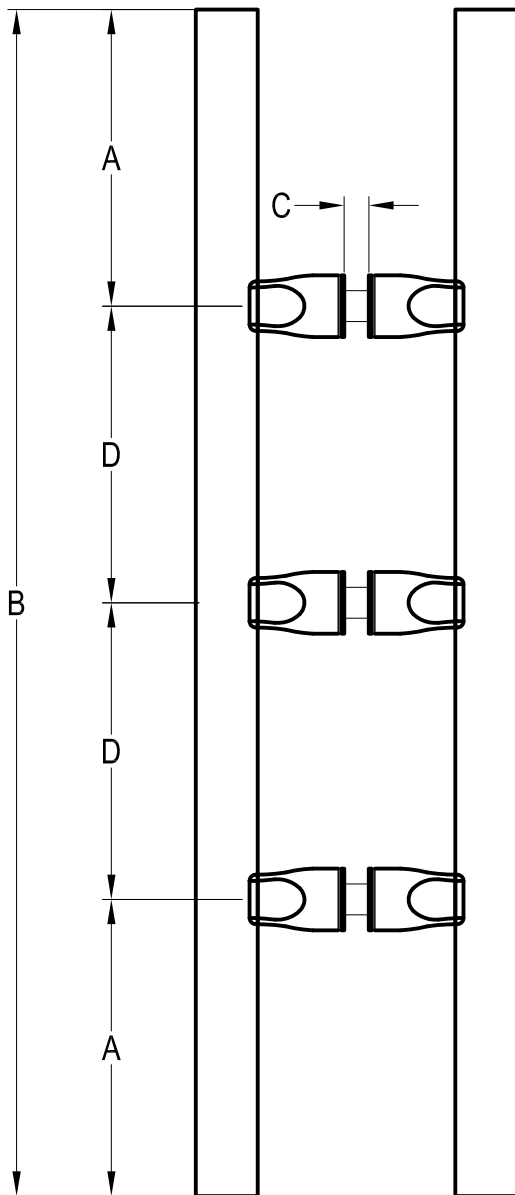
Dim " A "

Dim " B "

Dim " C "

Dim " D "

OFFSET STANDOFFS
AVAILABLE ONLY IN STAINLESS STEEL



OFFSET LADDER PULL
BACK TO BACK

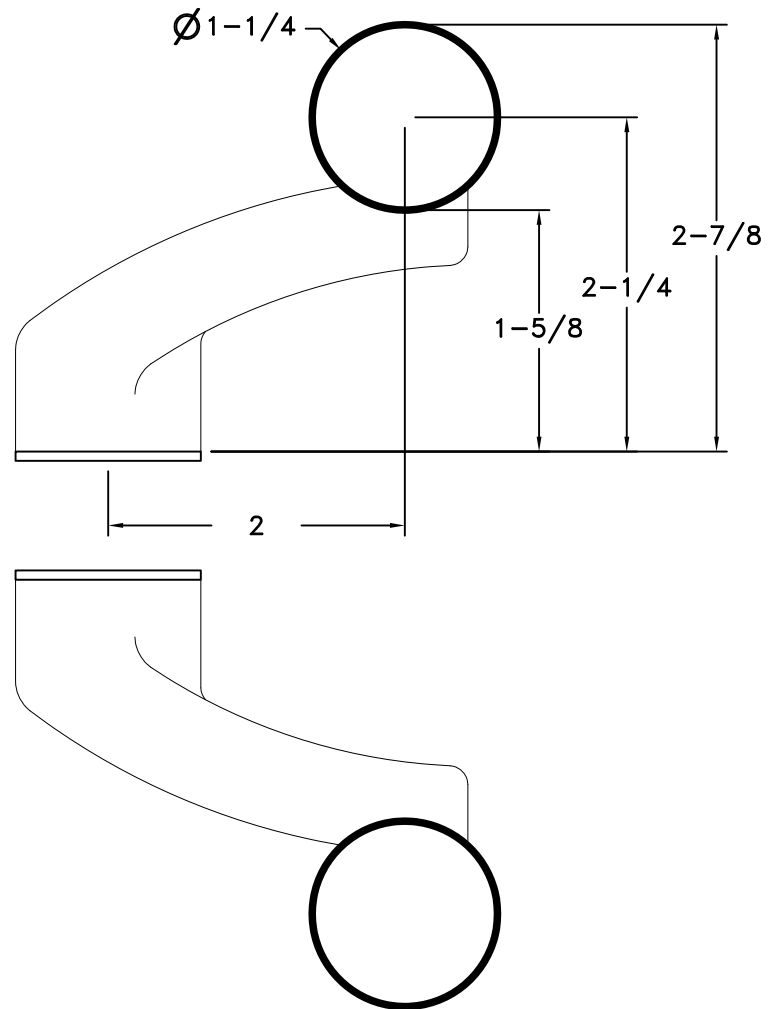
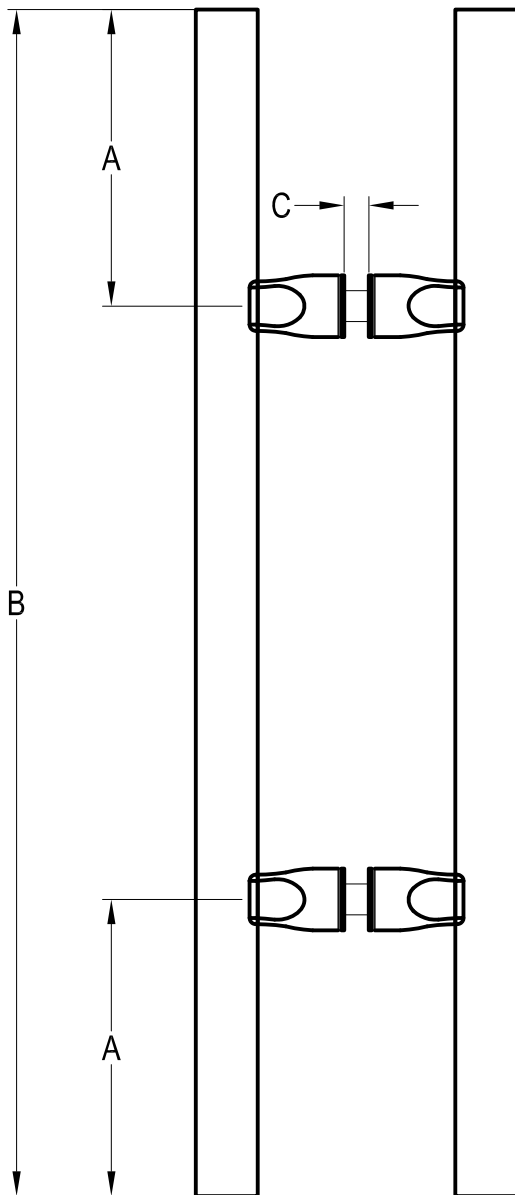
FINISH:

Dim " A "

Dim " B "

Dim " C "

OFFSET STANDOFFS
AVAILABLE ONLY IN STAINLESS STEEL



OFFSET LADDER PULL
SINGLE

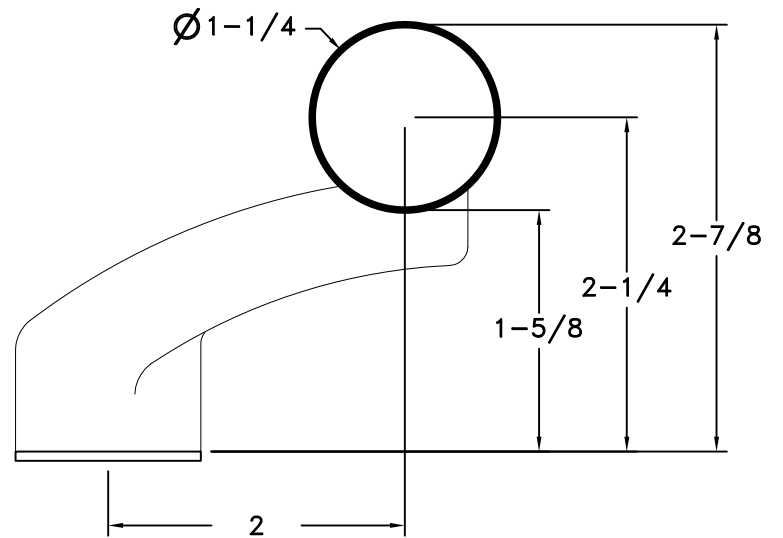
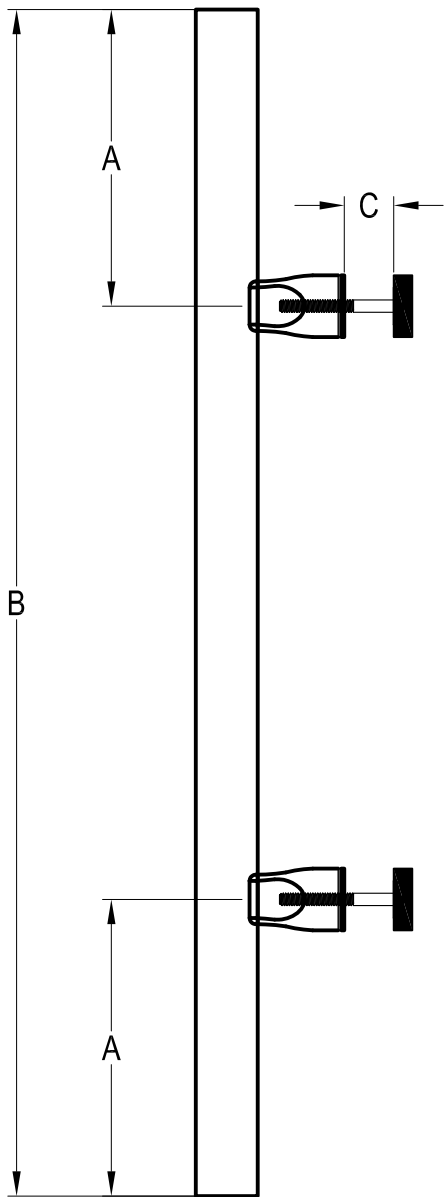
FINISH:

Dim " A "

Dim " B "

Dim " C "

OFFSET STANDOFFS
AVAILABLE ONLY IN STAINLESS STEEL





OFFSET LADDER PULL
SINGLE

FINISH:

Dim " A "

Dim " B "

Dim " C "

Dim " D "

OFFSET STANDOFFS
AVAILABLE ONLY IN STAINLESS STEEL

