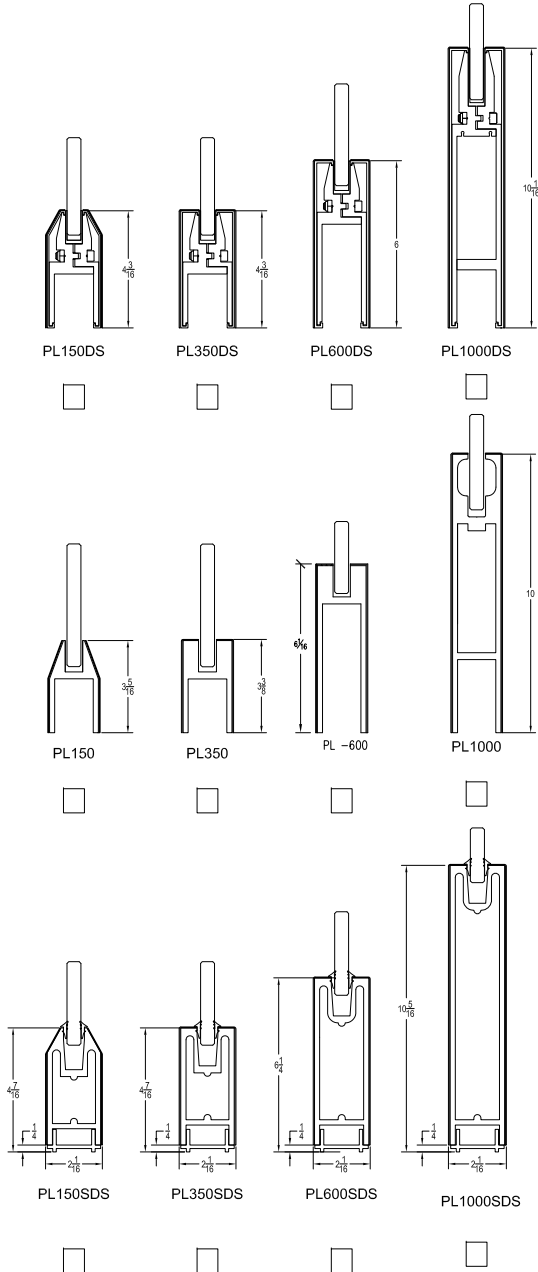


# SAMPLE SUBMITAL FORM

CUSTOMER NAME:

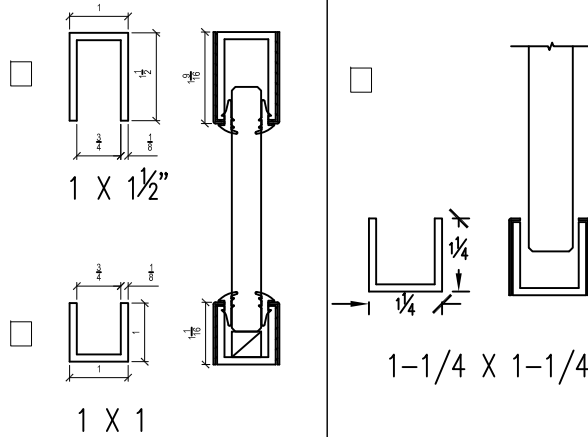
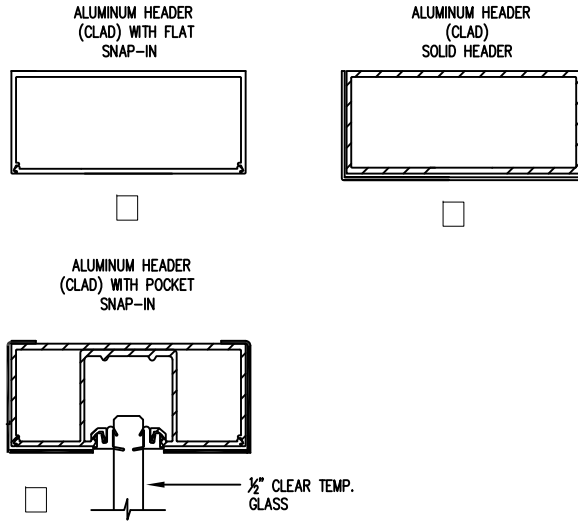
DATE:

METAL FINISH:



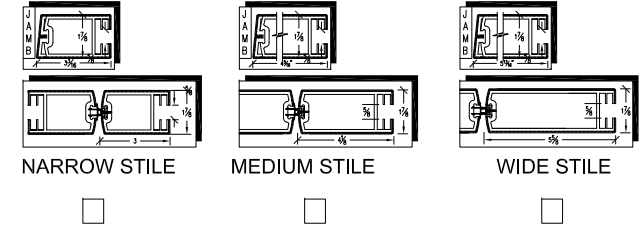
SIZE:

METAL FINISH:



FULL FRAME STILES.

METAL FINISH:



ALUMINUM DOOR STILES.

FINISH:

