

Model 370

Application

Exterior or Interior Doors
Weight to 500 lbs.
Door Sizes up to 3'8" x 8'6"*
(1118 x 2591mm)
Non-handed



BHMA/ANSI NO: C07032

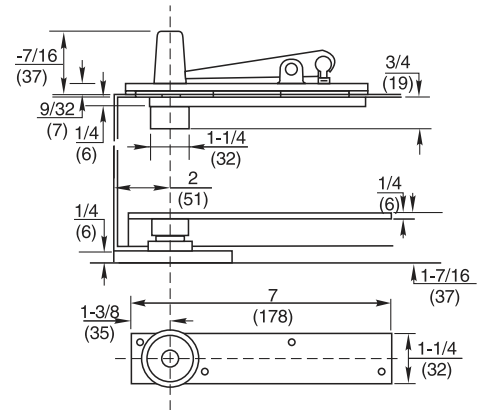
Center hung pivots are door hanging means only. To close doors see floor closer sections of the catalogs.

* For doors taller than 8'6" use top pivot H345 in lieu of 340

Product Description & Features

- Standard top pivot 340 included
- Bottom pivot mounts directly to floor
- Pivot point centered in thickness of door
- Door must have radius on pivot edge
- Pivot set features sealed bearings for protection against weather and debris
- Not allowed for use on labeled doors and frames
- Furnished with wood and machine screws
- Available with extended spindles in 1/2" (13mm) increments up to 2" (51mm) longer than standard

Technical Information



Pivots & Pivot Sets

Model 117-3/4

Application

Exterior or Interior Doors
Weight to 600 lbs.
Door Sizes up to 4'0" x 8'6"*
(1219 x 2591mm)
Non-handed



BHMA/ANSI NO: C07021 (modified)

Center hung pivots are door hanging means only. To close doors see floor closer sections of the catalogs.

* For doors taller than 8'6" use top pivot H345 in lieu of 340

Product Description & Features

- Standard top pivot 340 included
- Bottom pivot is mortised into floor
- Pivot point centered in thickness of door
- Door must have radius on pivot edge
- Heavy-duty bearings
- Pivot set features sealed bearings for protection against weather and debris
- Not allowed for use on labeled doors and frames
- Furnished with wood and machine screws
- Available with extended spindles in 1/2" (13mm) increments up to 2" (51mm) longer than standard

Technical Information

