

PRL

GLASS
SYSTEMS
INC.
Priglass.com

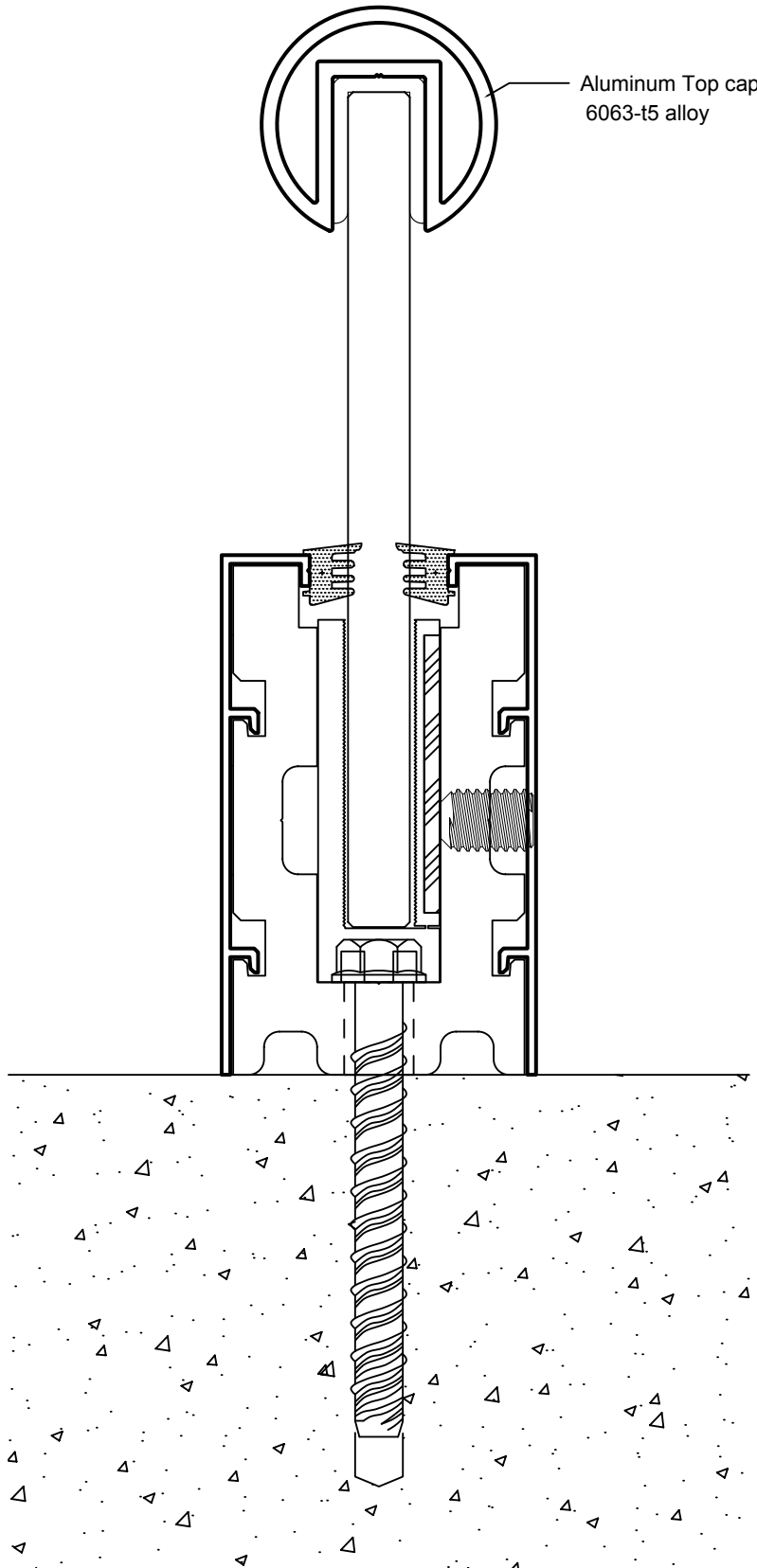


PLDSHRB

"Dry-set" Handrail Base shoe

DWG NO.: PLDSHRB

DATE: 10-26-10



PRL

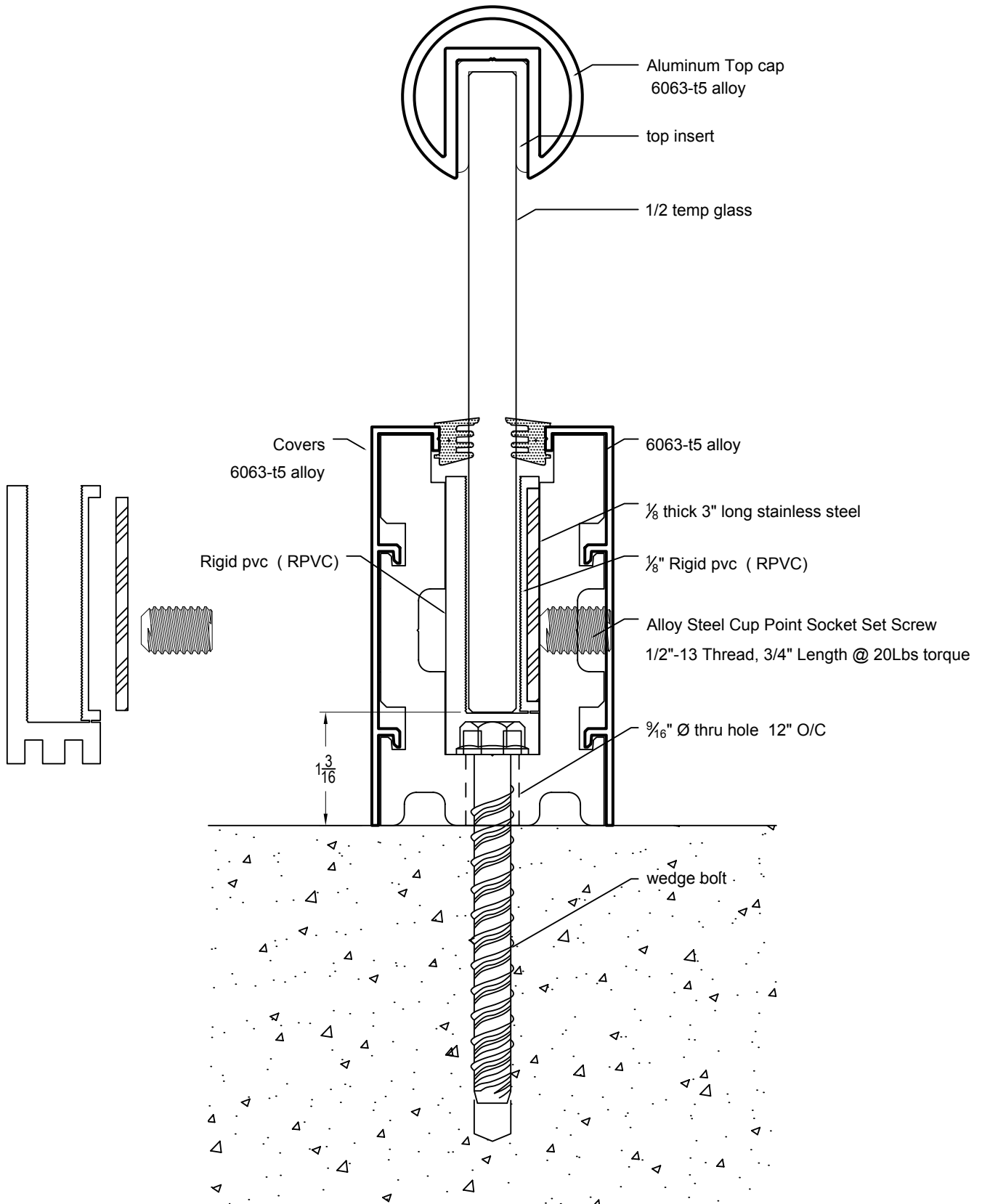
GLASS
SYSTEMS
INC.
Priglass.com

PLDSHRB

"Dry-set" Handrail Base shoe

DWG NO.: PLDSHRB

DATE: 10-26-10



PRL

GLASS
SYSTEMS
INC.
Priglass.com

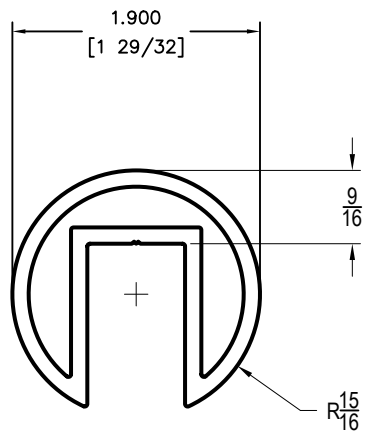


2TC

2" Dia. Aluminum top cap

DWG NO.: PLDSHRB

DATE: 10-26-10



PRL

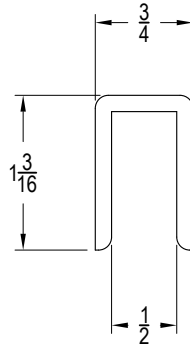
GLASS
SYSTEMS
INC.
Priglass.com



HRTVI
Handrail top vinyl insert

DWG NO.: PLDSHRB

DATE: 10-26-10



PRL

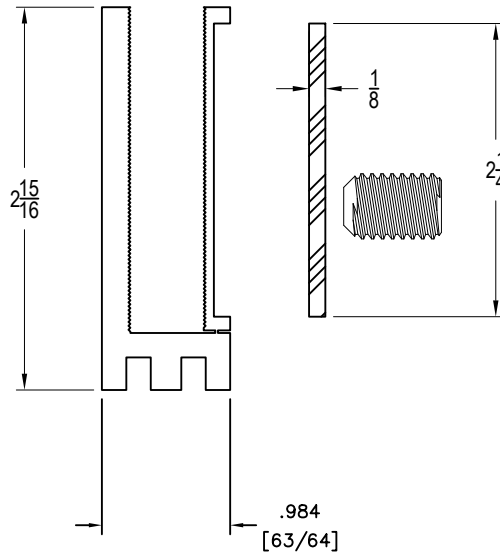
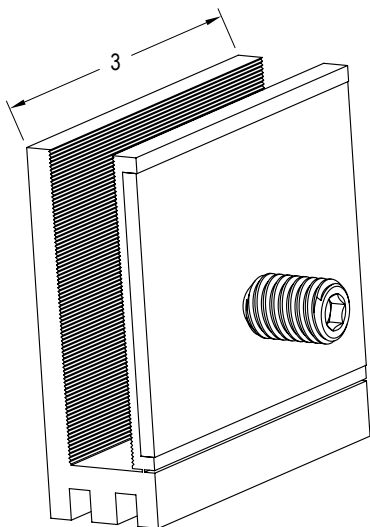
GLASS
SYSTEMS
INC.
Priglass.com



PLDSHRBPG
Dry set handrail panel grip

DWG NO.: PLDSHRB

DATE: 10-26-10



PRL

GLASS
SYSTEMS
INC.
Priglass.com

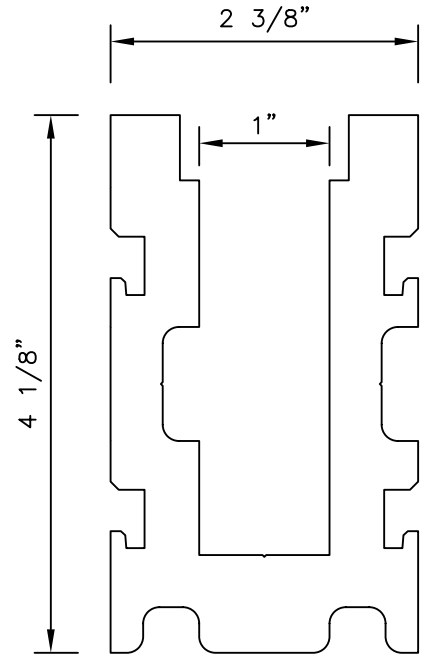
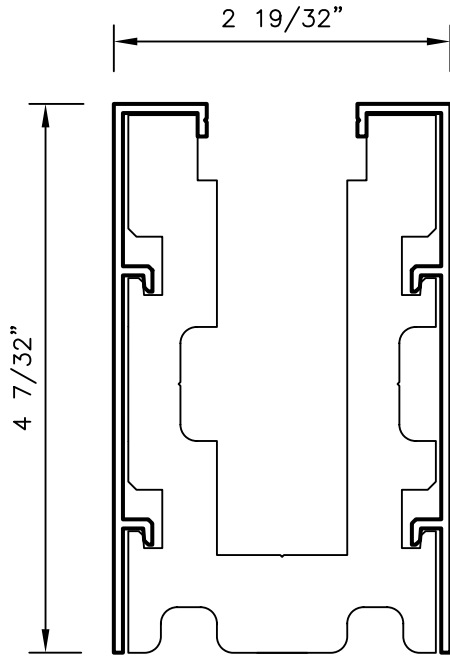
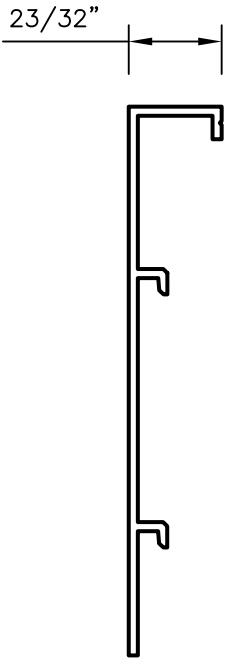


PLDSHRB

"Dry-set " Handrail Base shoe

DWG NO.: PLDSHRB

DATE: 10-26-10



PRL

GLASS
SYSTEMS
INC.

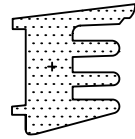
Priglass.com



PLDSHRB844VR1
Dry-set Handrail Base Shoe "Vinyl "

DWG NO.: PLDSHRB

DATE: 10-26-10



PRL

GLASS
SYSTEMS
INC.
Priglass.com

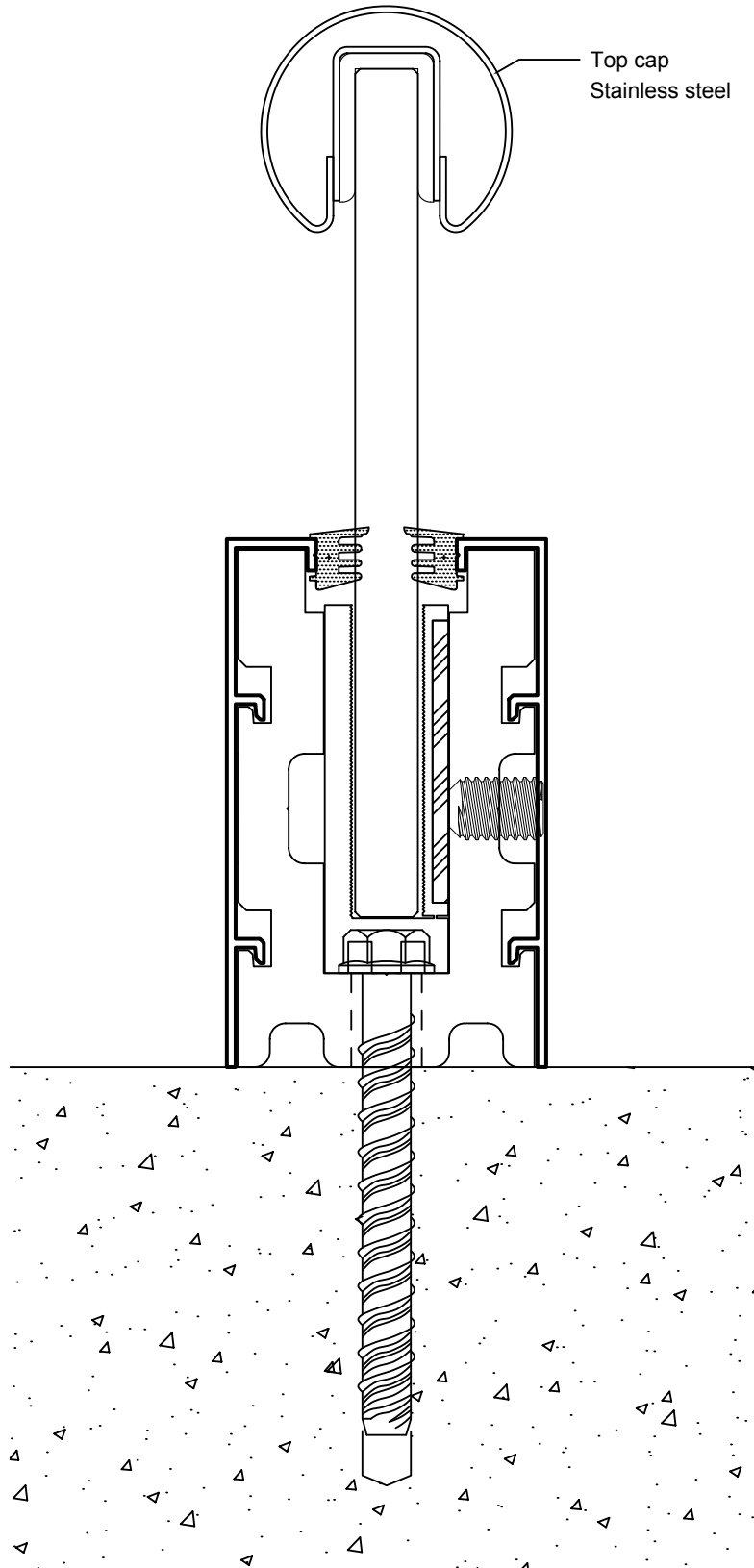


PLDSHRB

"Dry-set" Handrail Base shoe

DWG NO.: PLDSHRB

DATE: 10-26-10



PRL

GLASS
SYSTEMS
INC.
Priglass.com

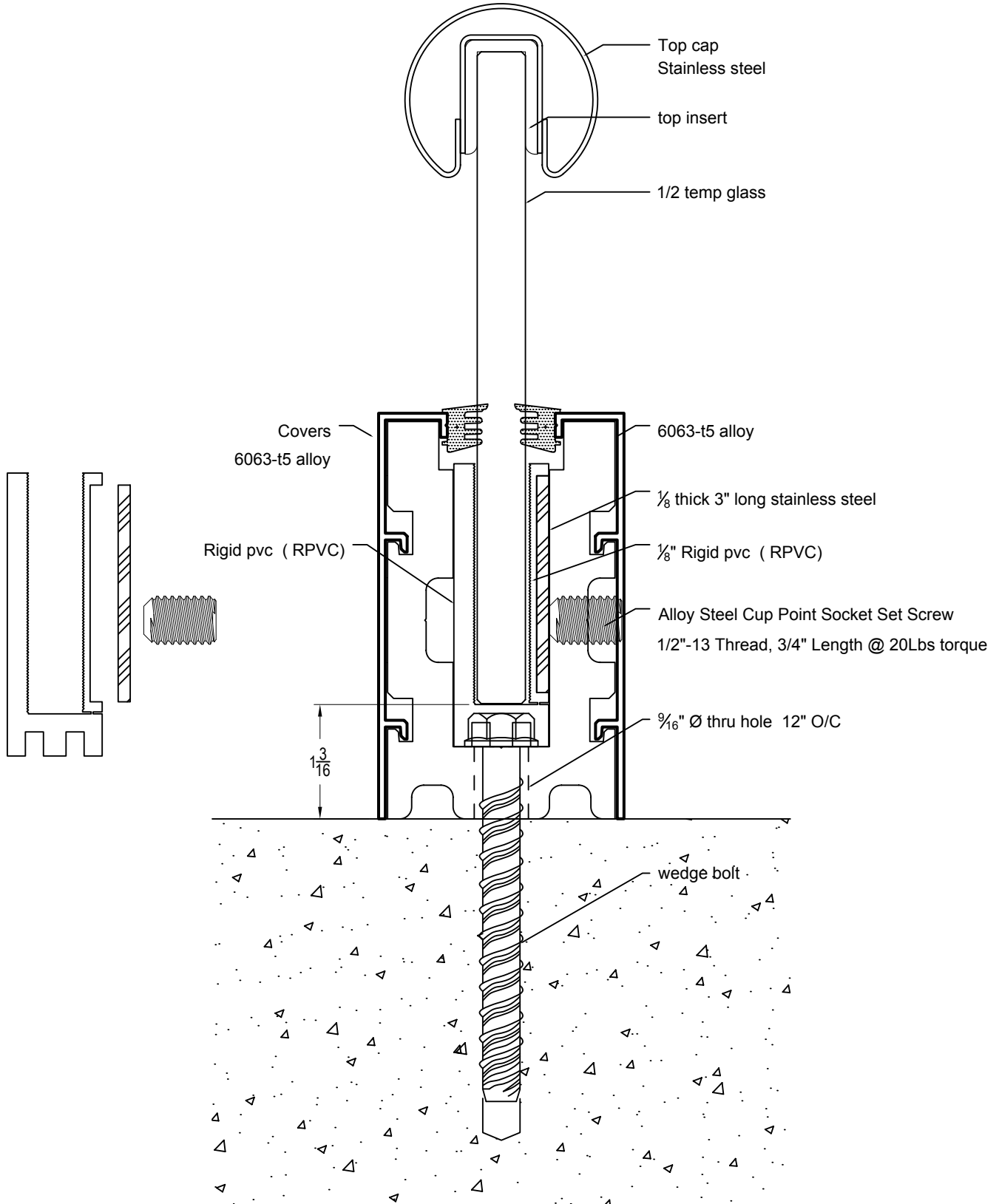


PLDSHRB

"Dry-set" Handrail Base shoe

DWG NO.: PLDSHRB

DATE: 10-26-10



PRL

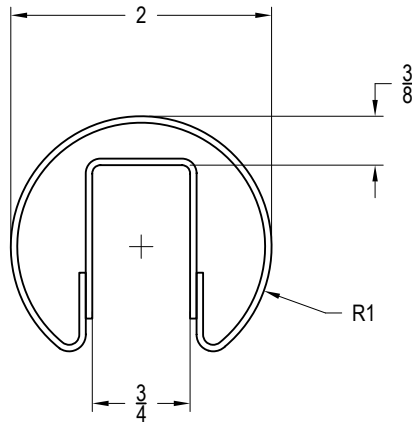
GLASS
SYSTEMS
INC.
Priglass.com



2TC "BS" or PS
2" Dia. Stainless steel top cap

DWG NO.: PLDSHRB

DATE: 10-26-10



PRL

GLASS
SYSTEMS
INC.
Priglass.com



PLDSHRB

"Dry-set" Handrail Base shoe

DWG NO.: PLDSHRB

DATE: 10-26-10

Up to 5/8 Horizontal Adjustment

